

Entrance of an apartment house with one entrance (video / audio)
 Using a video splitter METAKOM MKV-D4

MK 2012-(TM/RF/MF)EV
MK 2003.2-(TM/RF/MF)EV

METAKOM ML-400

BP-2U

KV-2

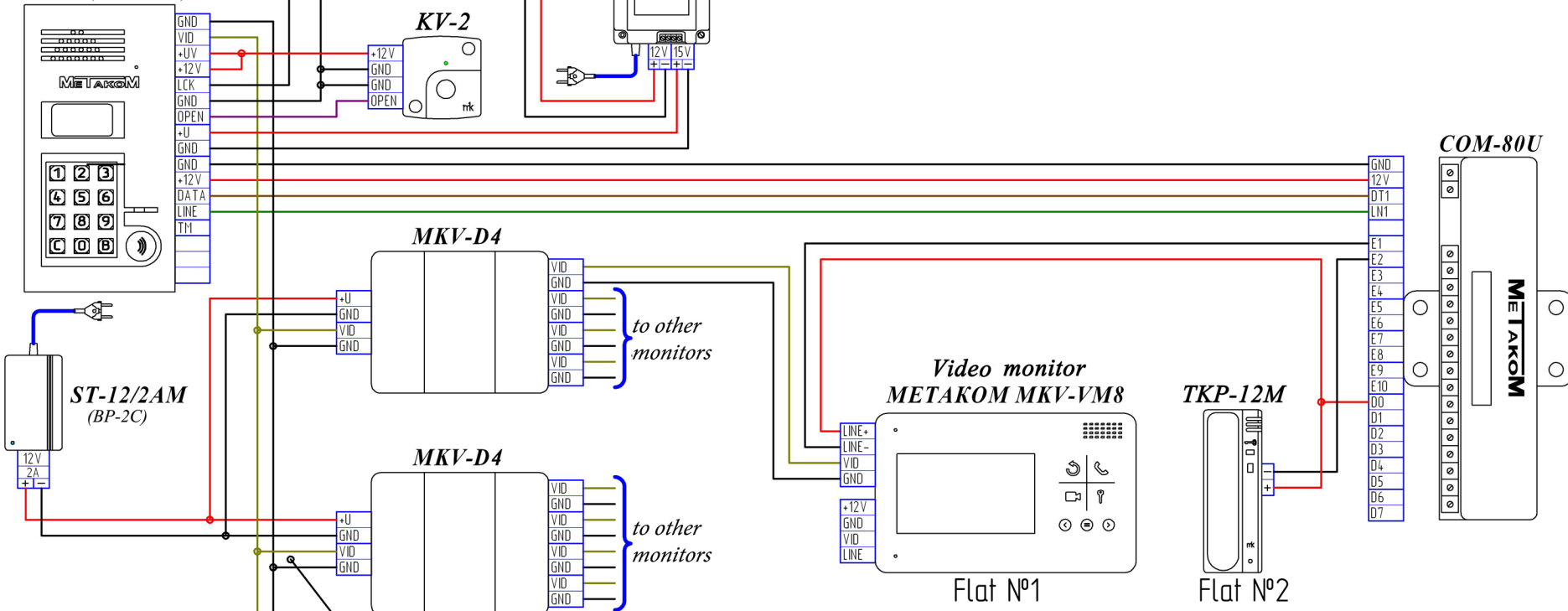
MKV-D4

MKV-D4

Video monitor METAKOM MKV-VM8

TKP-12M

COM-80U



to MKV-D4C
 (on other floors)

The length of the line from the video source to MKV-D4
 should not exceed 30 METERS

Flat №1

Flat №2